

Cascade Corporate Center
Worthington, OH 43085

For Lease



Professional office suites perfectly suited to your business

Cascade I: 130 E Wilson Bridge Rd
Cascade II: 150 E Wilson Bridge Rd
Cascade V: 250 E Wilson Bridge Rd

Lease Rates:
\$16.95 - \$21.95 psf Gross

Available Space:
996 RSF to 6,200 RSF

- Excellent Worthington location in close proximity to restaurants, services and shopping
- Convenient access to I-270, I-71, SR 315 and SR 23
- Lighted parking (4.1/1,000), vending area with seating, outdoor patio, storage, 24/7 key card access
- Athletic club on site offering handball/racquetball courts, exercise/cardio equipment, lockers, and sauna/showers
- Conference center for tenant use (accommodates 30)



Brad Kitchen, SIOR
614.545.2155
bkitchen@AlterraRE.com

Alterra Real Estate
614.365.9000
www.AltterraRE.com

Cascade Corporate Center

Available Space for Lease

Cascade I - 130 E Wilson Bridge Road

Floor	Suite	RSF	Comments
Terrace	50	2,951*	*Can be combined for 4,176 SF
	75	1,225*	*Can be combined for 4,176 SF
Third	320	1,856	
	325	3,692	

Cascade II - 150 E Wilson Bridge Road

Floor	Suite	RSF	Comments
Terrace	50	996**	**Can be combined for 2,184 SF
	55	1,188**	**Can be combined for 2,184 SF
	75	6,200	
Second	232	1,536***	***Can be combined for 3,091 SF
	235	1,555***	***Can be combined for 3,091 SF
Third	330	1,002	Available after 7/1/2019

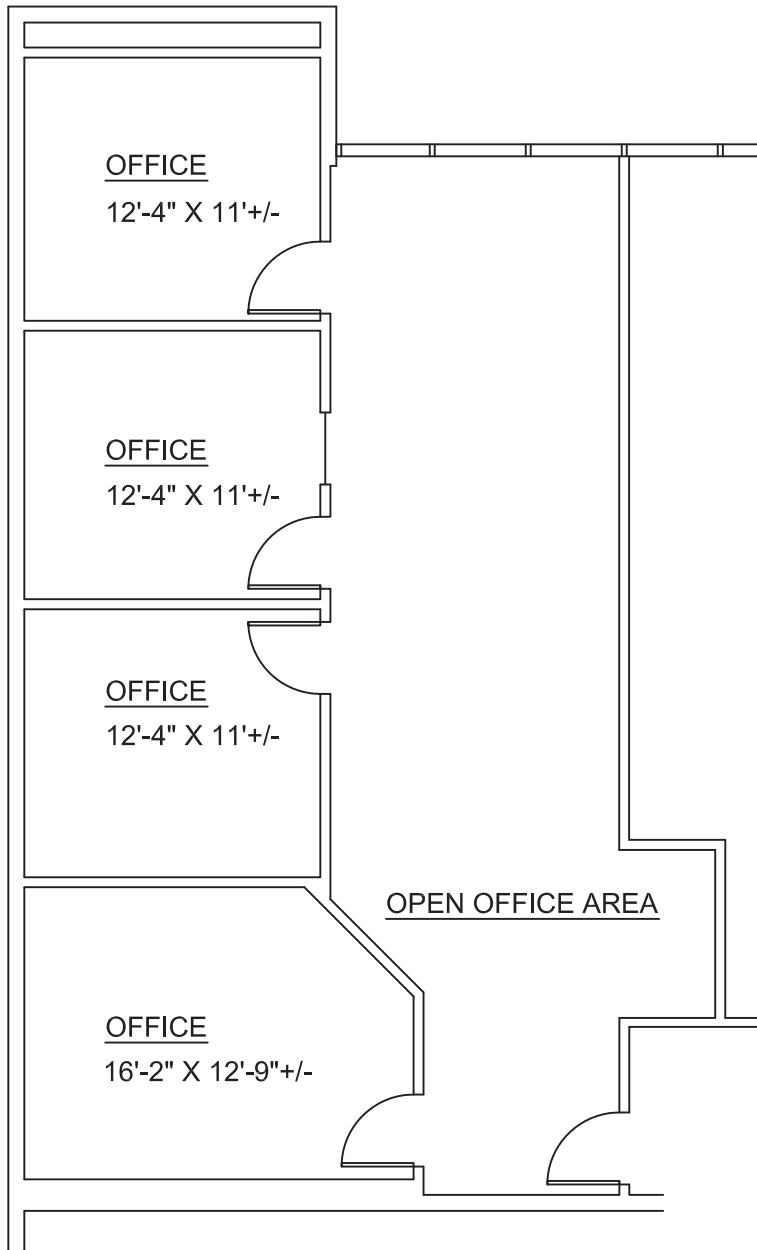
Cascade V - 250 E Wilson Bridge Road

Floor	Suite	RSF	Comments
First	120	3,965	
	130	1,816	
	150	1,914	
Second	210	1,359	



SUITE 50



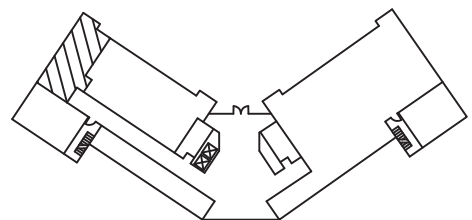


Cascade I - Suite 75

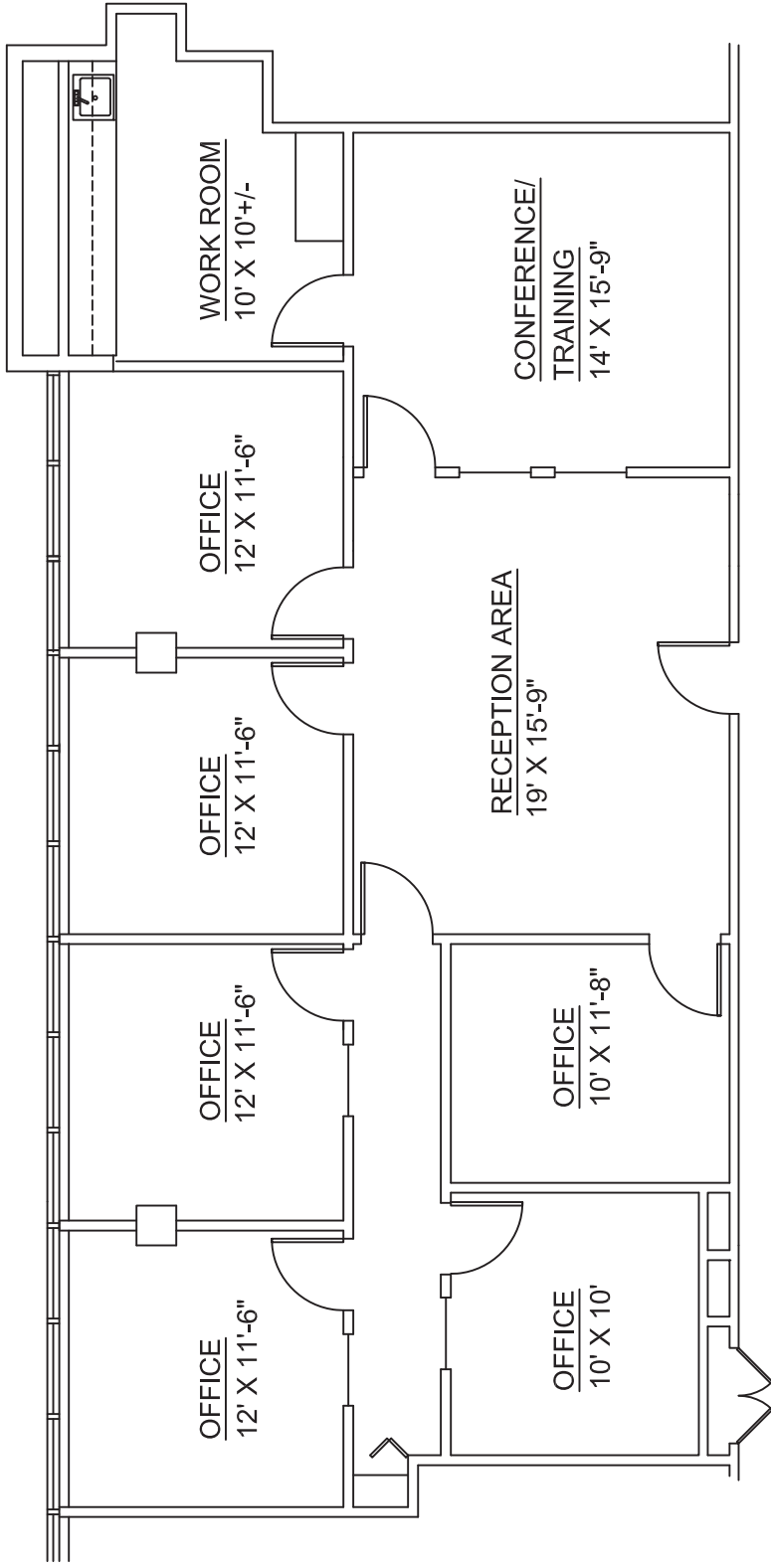
1,225 Sq. Ft. Scale 1/8" = 1' - 0"

Cascade Corporate Center

130 East Wilson Bridge Road - Terrace Level
 Worthington, Ohio



Terrace Level Key Plan

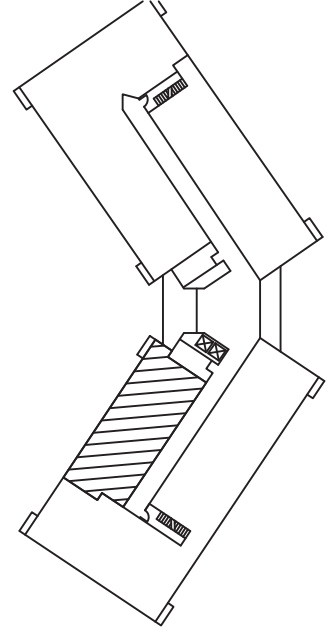


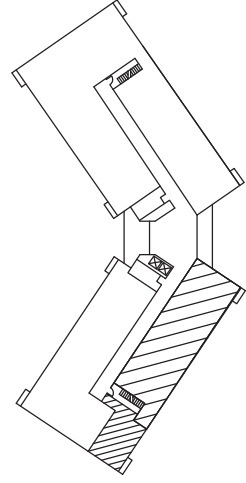
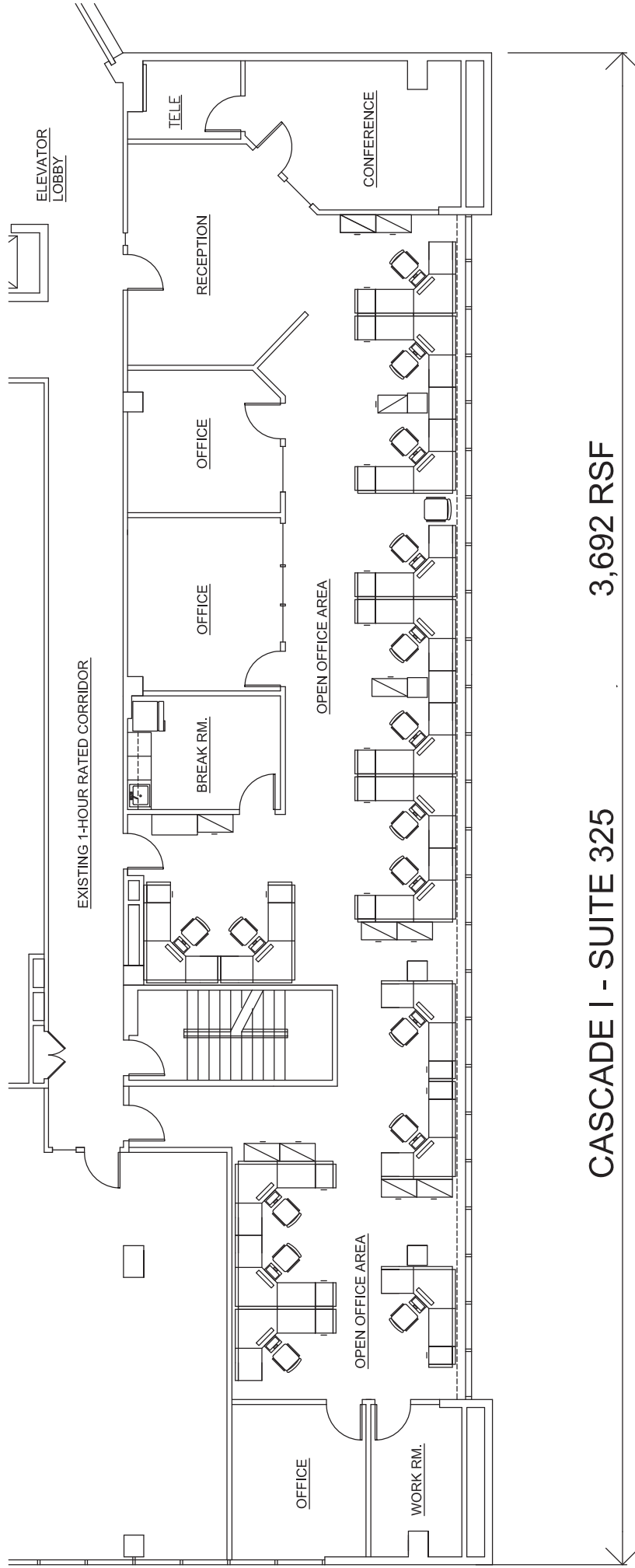
Cascade I - Suite 320

1,856 Sq. Ft. Scale 1/8" = 1' - 0"

Cascade Corporate Center

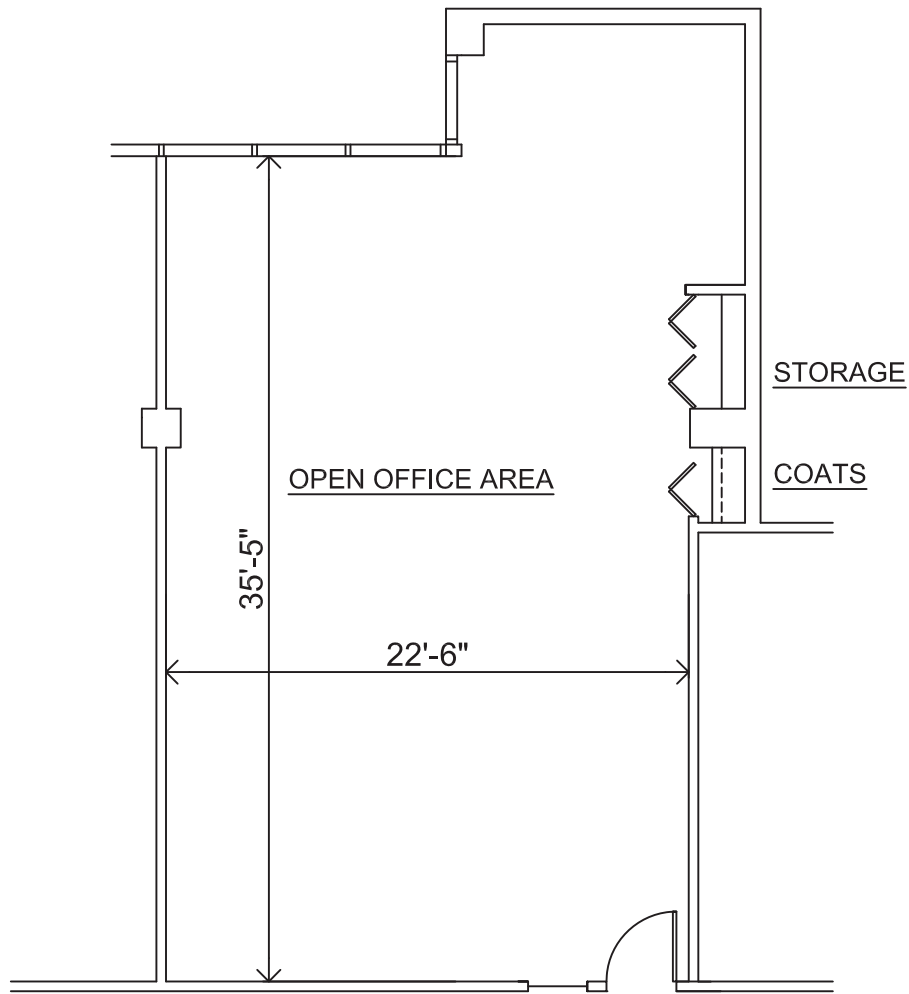
130 East Wilson Bridge Road - Third Floor
Worthington, Ohio





CASCADE I - SUITE 325

3,692 RSF

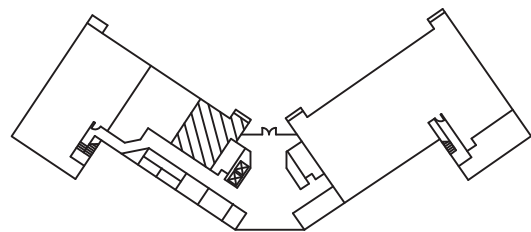


Cascade II - Suite 50 Available

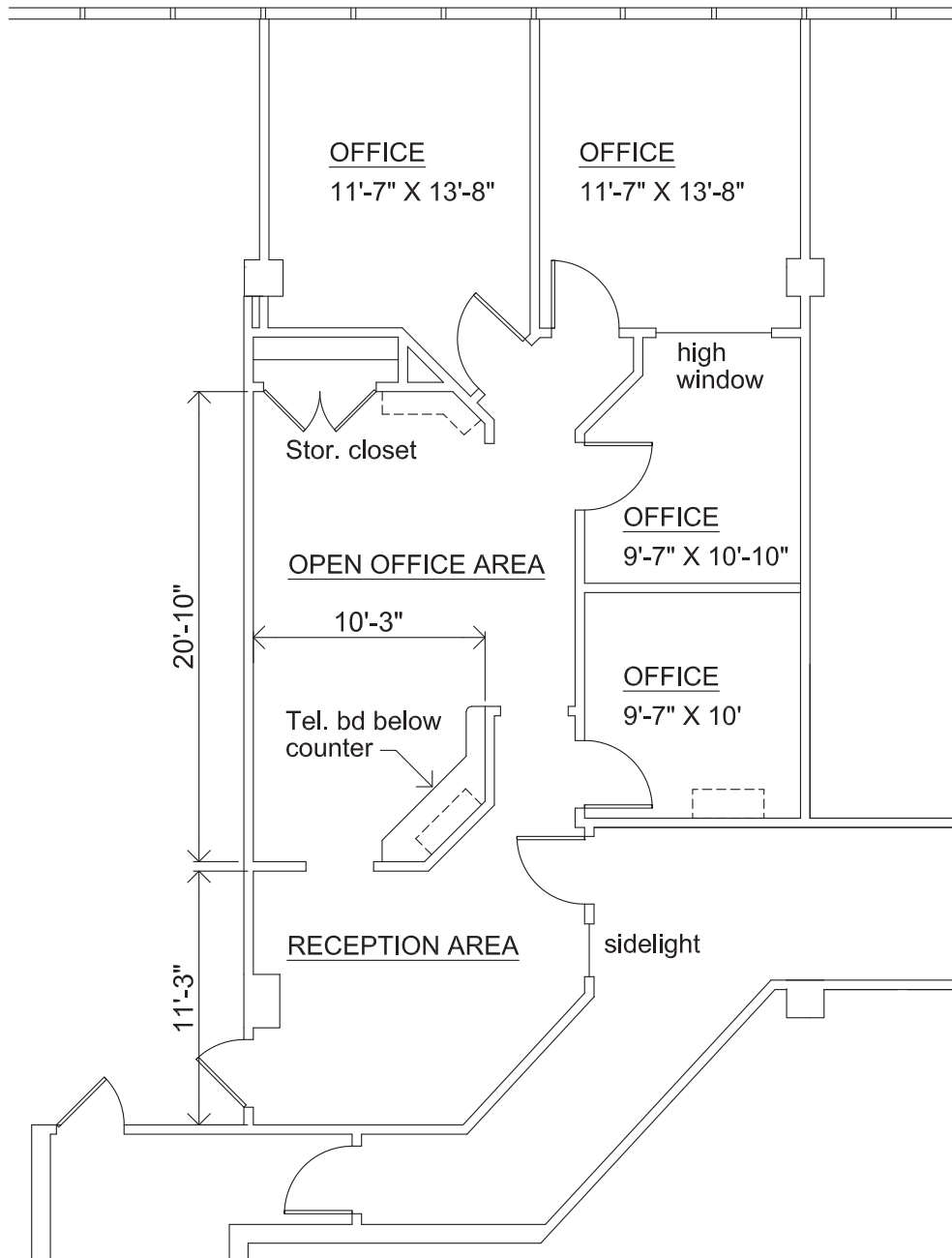
996 Sq. Ft. Scale 1/8" = 1' - 0"

Cascade Corporate Center

150 East Wilson Bridge Road - Terrace Level
 Worthington, Ohio



Terrace Level Key Plan

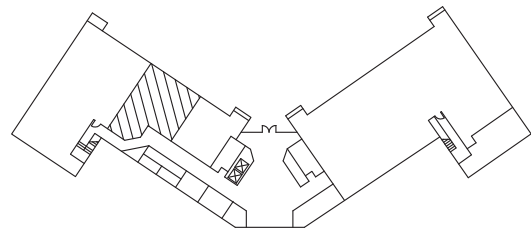


Cascade II - Suite 55

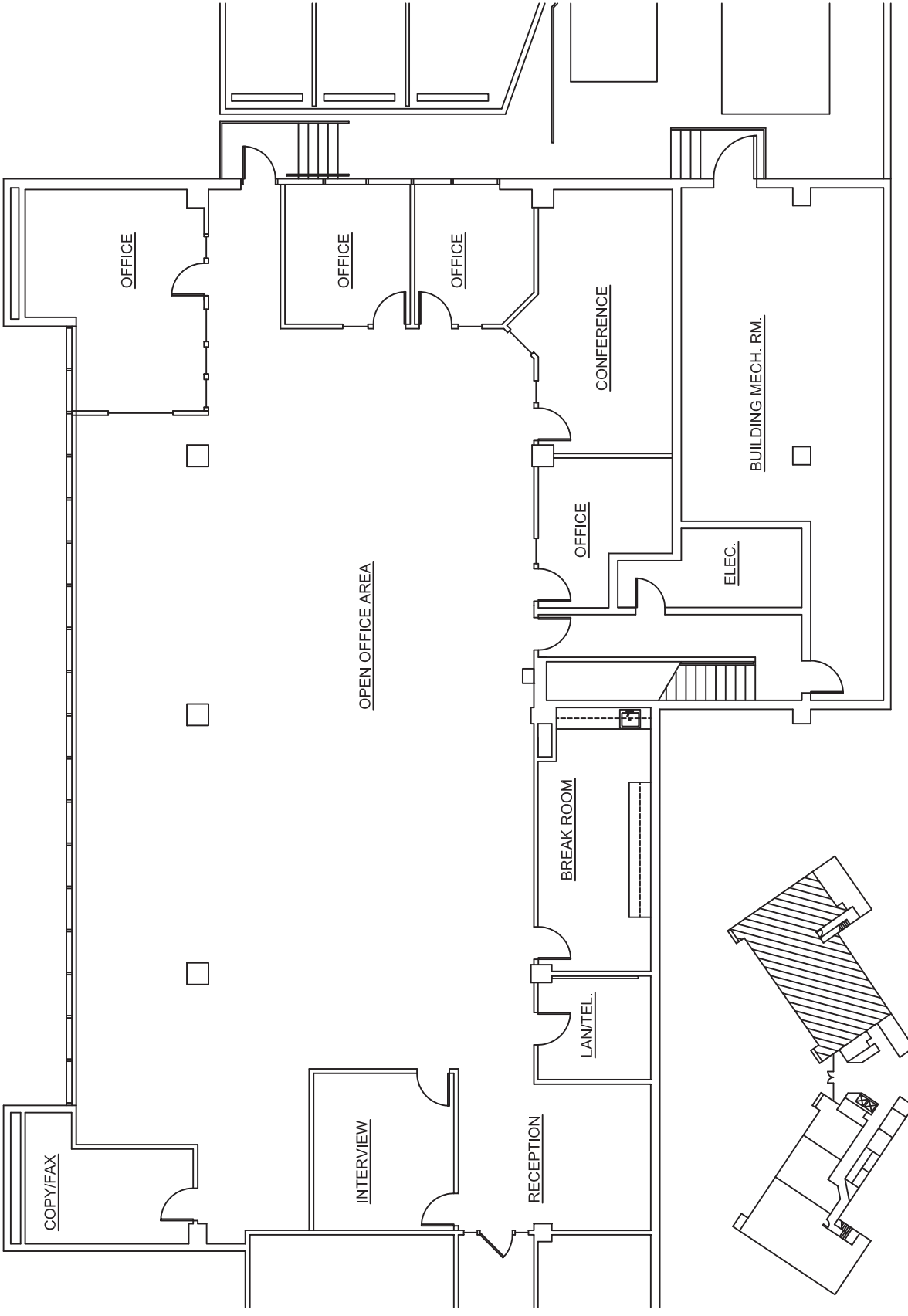
1,188 Sq. Ft. Scale 1/8" = 1' - 0"

Cascade Corporate Center

150 East Wilson Bridge Road - Terrace Level
 Worthington, Ohio

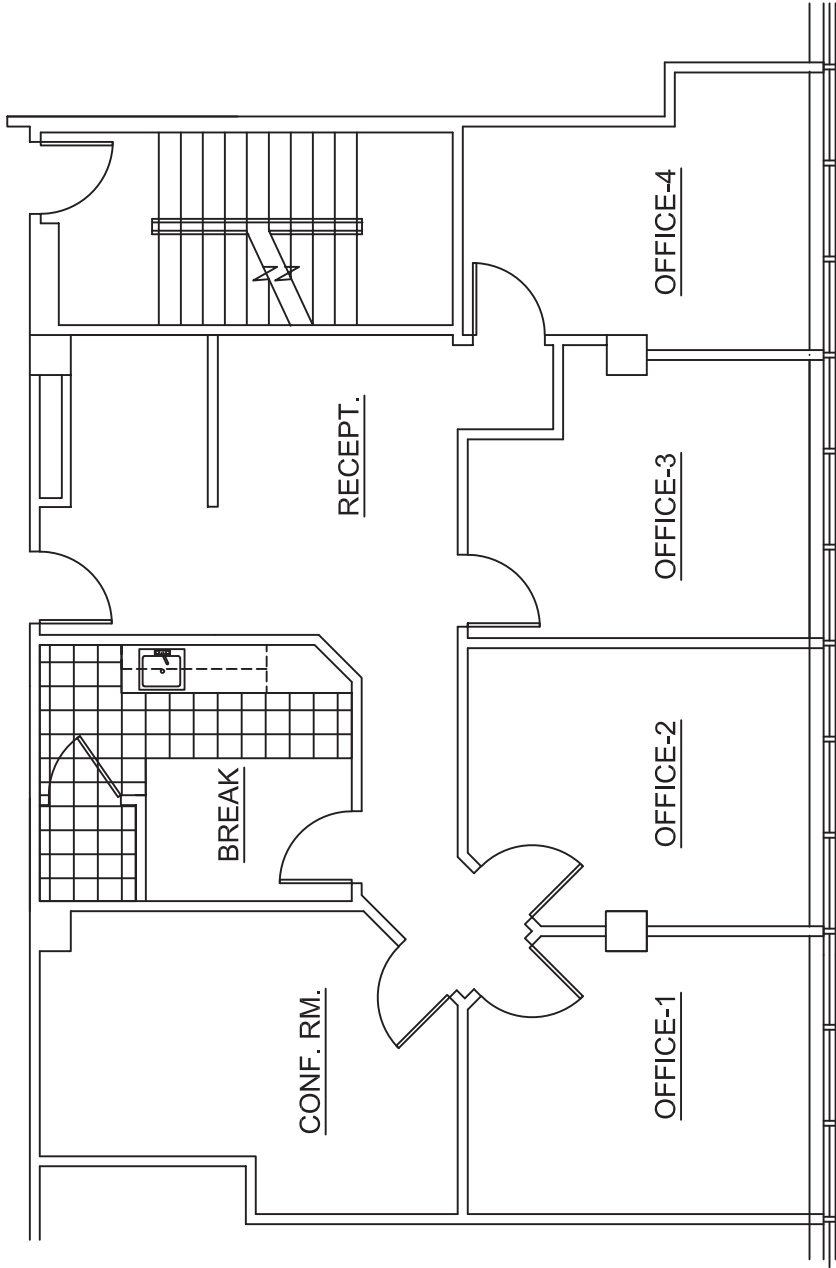


Terrace Level Key Plan



CASCADE II - SUITE 75

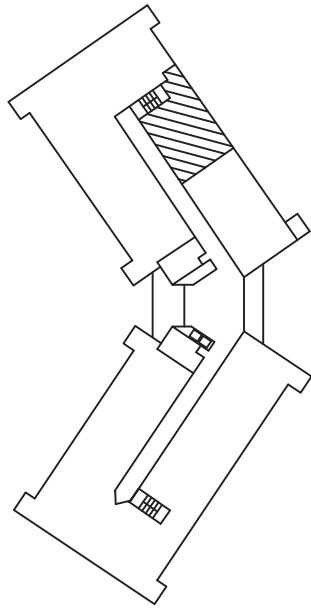
6,200 RSF

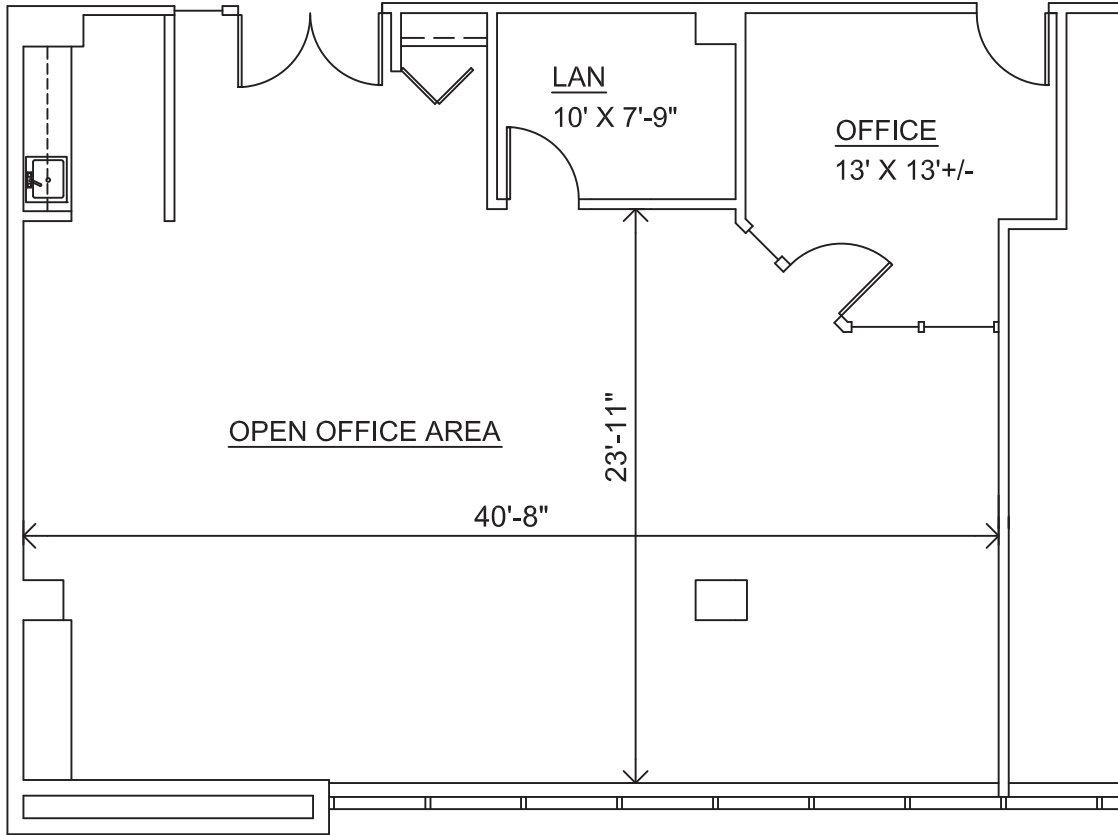


SUITE 232

Cascade II
 150 East Wilson Bridge Road - Second Floor
 Worthington, Ohio

Scale 1/8" = 1' - 0"



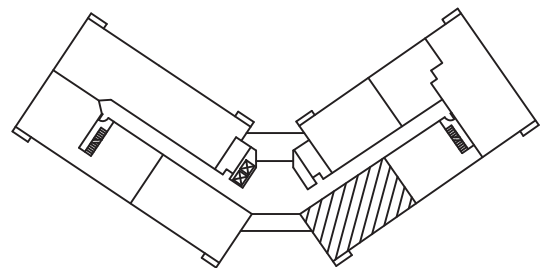


Cascade II - Suite 235

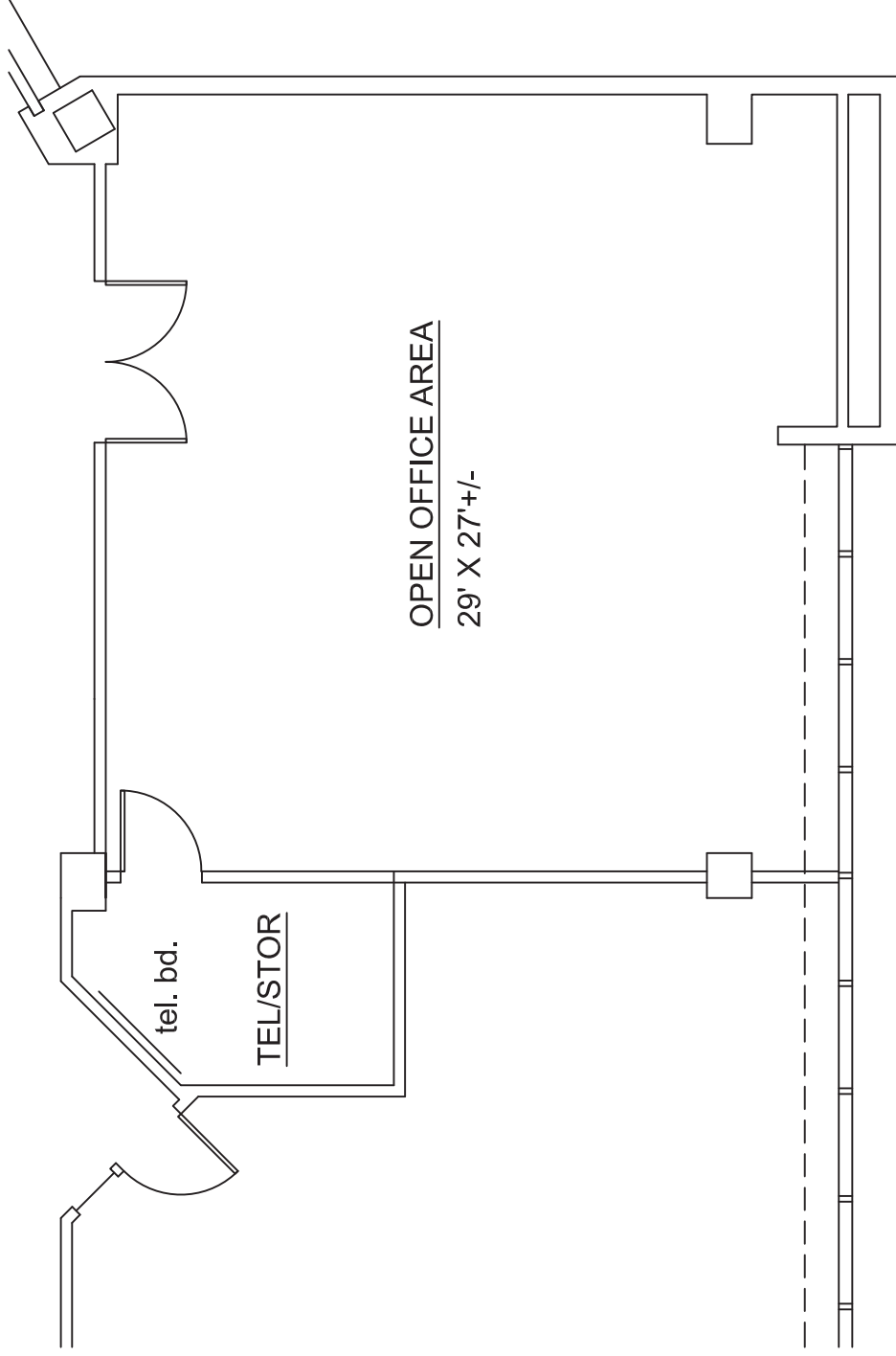
Scale 1/8" = 1' - 0"

Cascade Corporate Center

150 East Wilson Bridge Road - Second Floor
 Worthington, Ohio



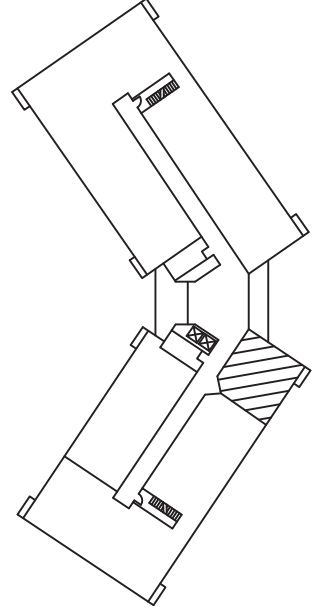
Second Floor Key Plan

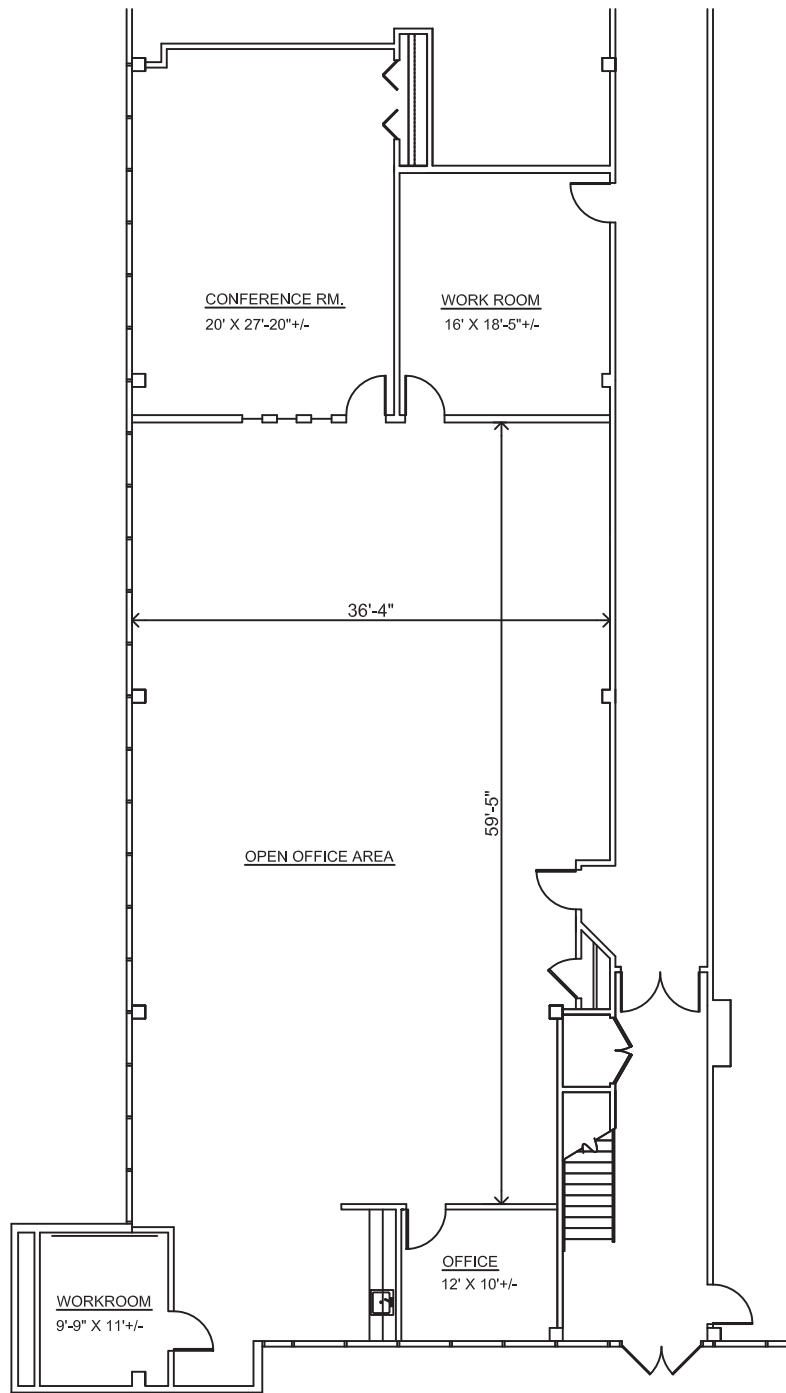


CASCADE II - SUITE 330

NO SCALE 1,002 RSF

150 EAST WILSON BRIDGE ROAD
WORTHINGTON, OHIO



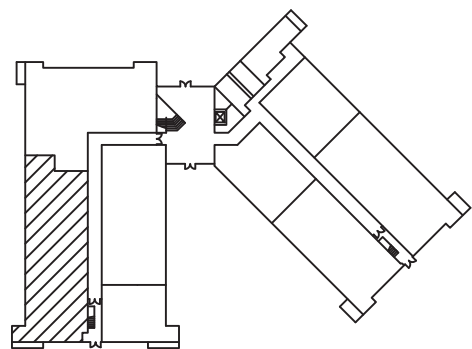


Cascade V - Suite 120

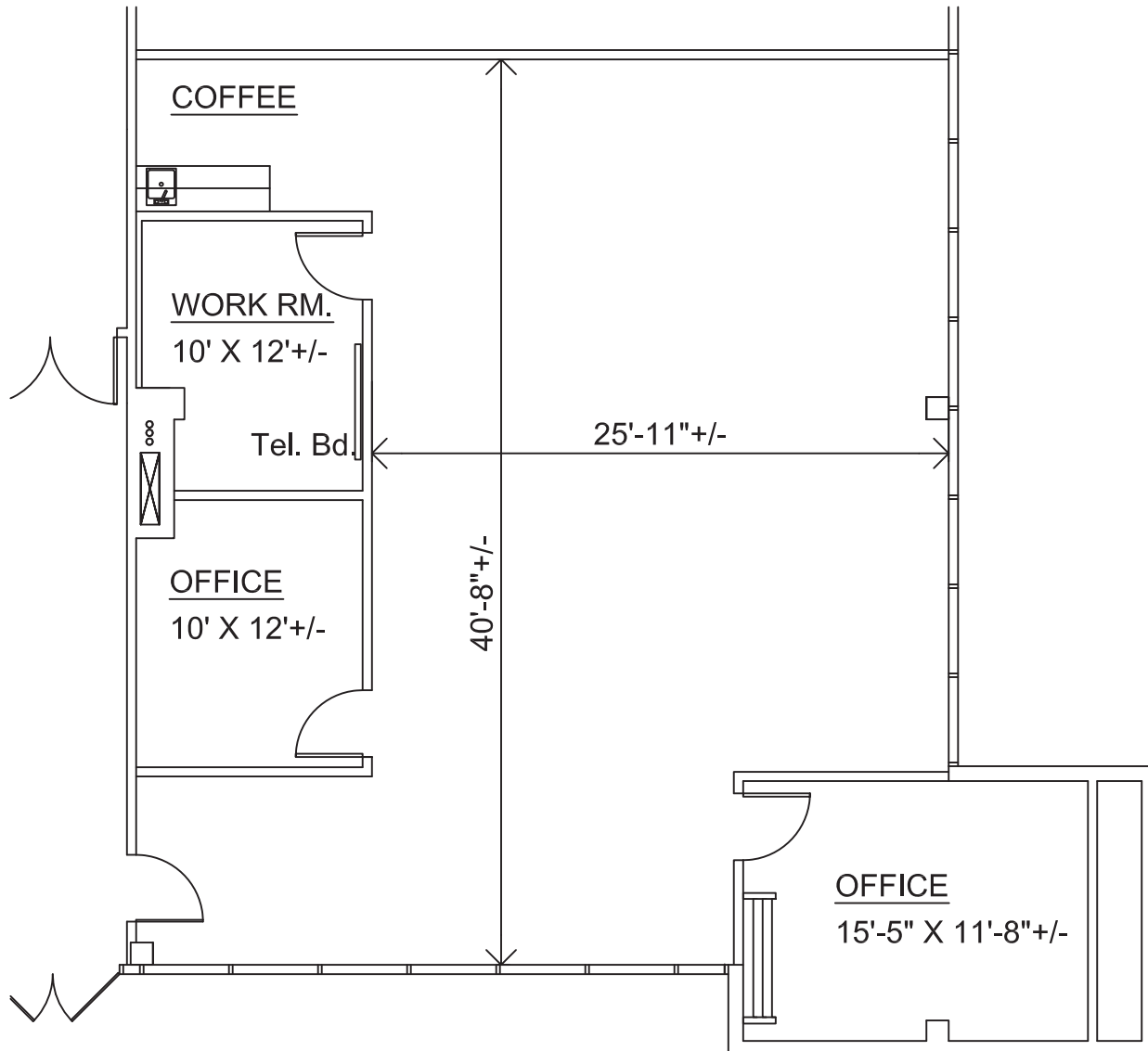
3,965 Sq. Ft. Not to Scale

Cascade Corporate Center

250 East Wilson Bridge Road - First Floor
 Worthington, Ohio



First Floor Plan

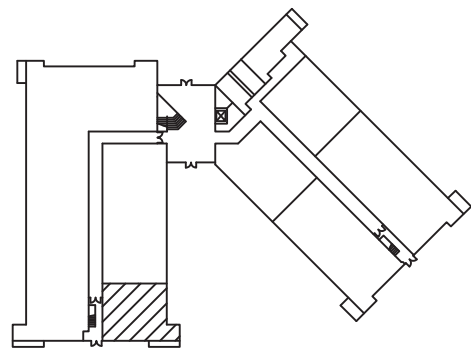


Cascade V - Suite 130

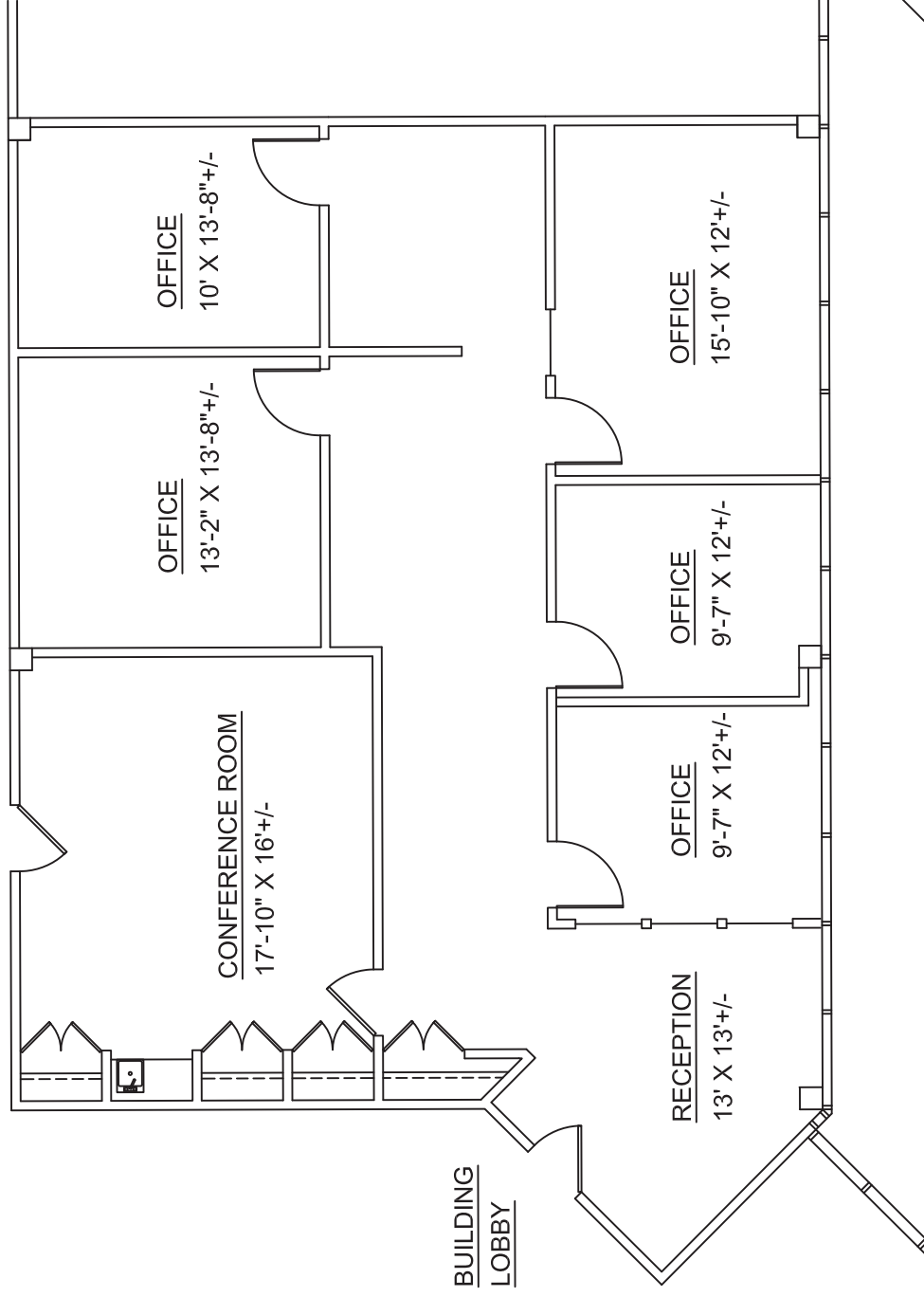
1,816 Sq. Ft. Scale 1/8" = 1' - 0"

Cascade Corporate Center

250 East Wilson Bridge Road - First Floor
 Worthington, Ohio



First Floor Key Plan

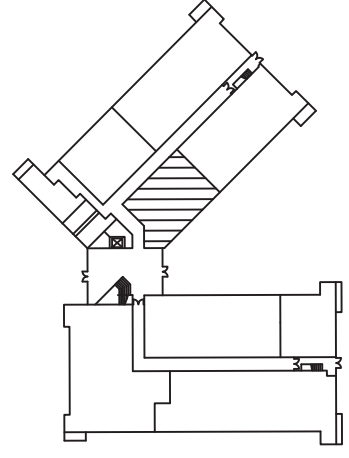


Cascade V - Suite 150

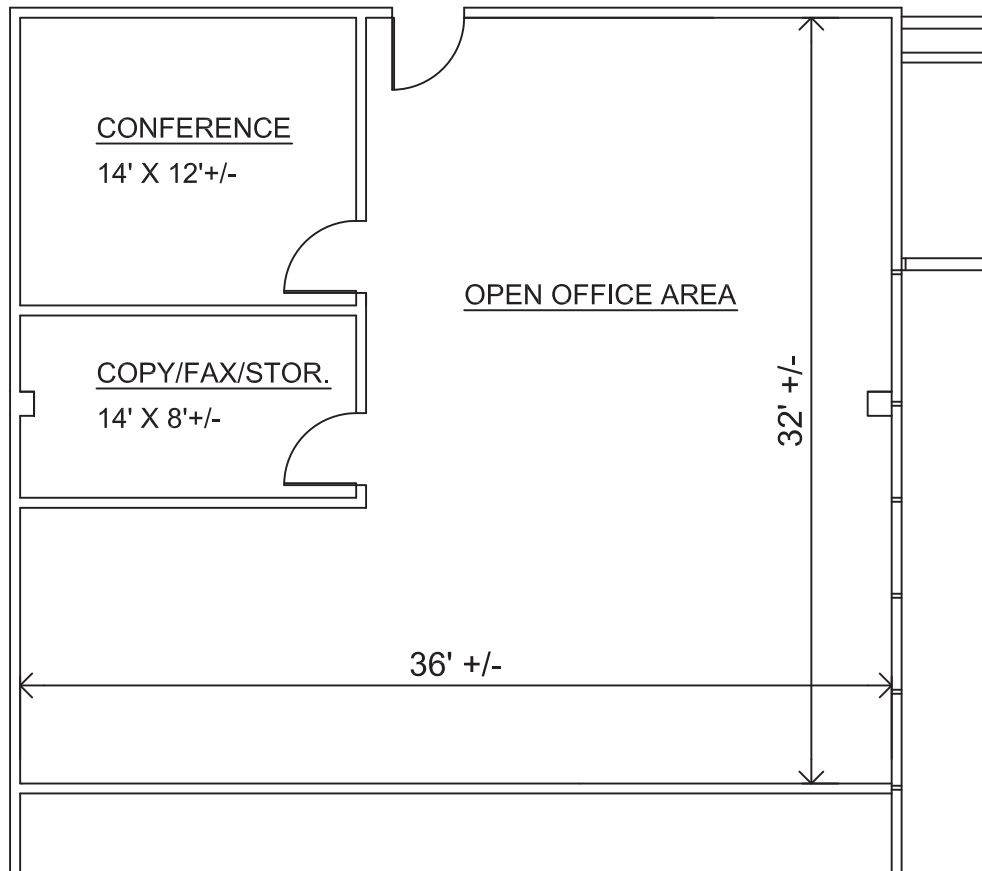
1,914 Sq. Ft. Scale 1/8" = 1' - 0"

Cascade Corporate Center

250 East Wilson Bridge Road - Terrace Level
Worthington, Ohio



First Floor Key Plan

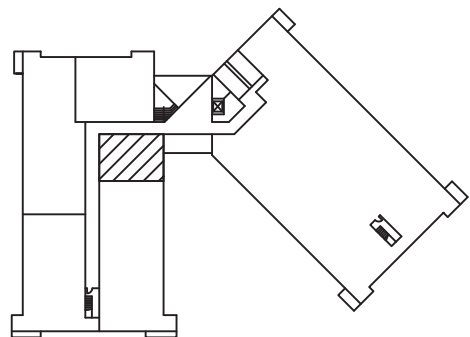


Cascade V - Suite 210

1,359 Sq. Ft. Scale 1/8" = 1' - 0"

Cascade Corporate Center

250 East Wilson Bridge Road - Second Floor
Worthington, Ohio



Second Floor Key Plan