

3700 Corporate Drive
Columbus, OH 43228

For Lease



Office space perfectly suited for your business

Lease Rates:

\$7.95 - \$11.95 psf NNN

Available Space:

46,186 SF Available

1st Floor 2,072 sf - 7,188 sf

2nd Floor 1,715 sf - 16,250 sf

- Immediate occupancy
- Flexible floor plans
- Exterior signage available (monument & building)
- Recently updated common areas
- Ample lighted parking
- Wooded setting with walking path
- Located off of SR 161 with easy access to I-670, I-270 and I-71
- Convenient to Easton Town Center and John Glenn Intl Airport



All the contained information has been compiled from sources deemed to be reliable, but no representation is made as to the accuracy thereof and it is submitted subject to errors and omissions. Buyer is responsible for verifying the information contained herein. The submission is also subject to changes in price, rental or other conditions, prior sale, lease or financing or withdrawal without notice.

Jeff Rudicil (JR)
614.545.2157
jr@AlterraRE.com

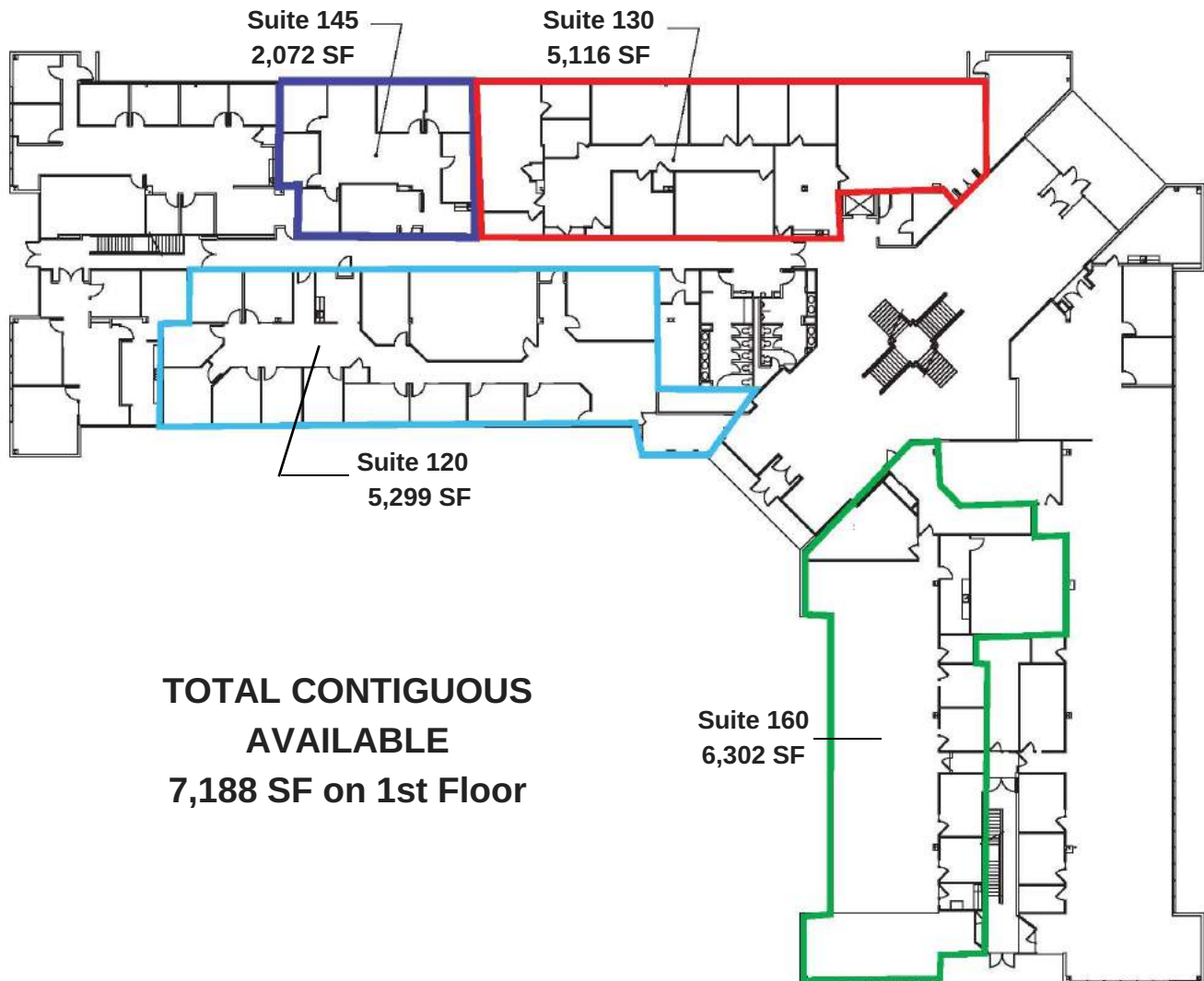
Bradford L. Kitchen, SIOR
614.545.2155
bkitchen@AlterraRE.com

Alterra Real Estate
614.365.9000
www.AltterraRE.com

3700 Corporate Drive
Columbus, OH 43228

AVAILABLE SPACE 1st Floor

Suite	RSF	Comments
120	5,299	Well laid out suite with offices, conference room, break room, work area
130	5,116	Suite with main entrance off the lobby. Numerous offices, open space and break room. Can be combined with adjacent suite for up to 7,188 SF
145	2,072	5 offices, reception, break room, open area and work room. Can be combined with adjacent suite for up to 7,188 SF
160	6,302	Suite located directly off 1st floor lobby. Lots of open space



Jeff Rudicil (JR)
614.545.2157
jr@AlterraRE.com

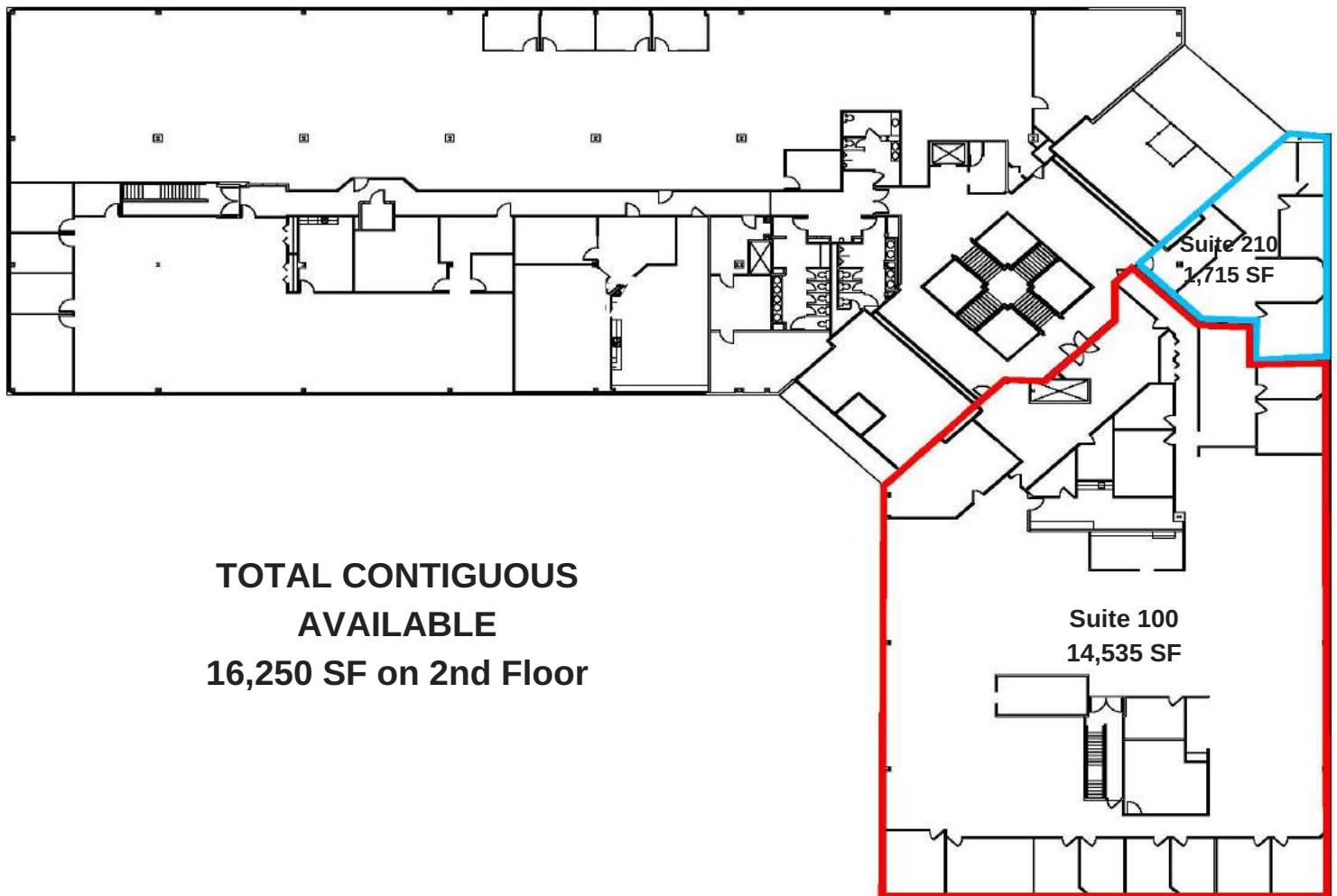
Bradford L. Kitchen, SIOR
614.545.2155
bkitchen@AlterraRE.com

Alterra Real Estate
614.365.9000
www.AltterraRE.com

3700 Corporate Drive
Columbus, OH 43228

AVAILABLE SPACE 2nd Floor

Suite	RSF	Comments
200	14,535	Located off 2nd floor lobby; abundant windows, flexible floor plan; divisible. Can be combined with adjacent suite for 16,250 SF
210	1,715	Located off 2nd floor lobby; abundant windows. Can be combined with adjacent suite for 16,250 SF

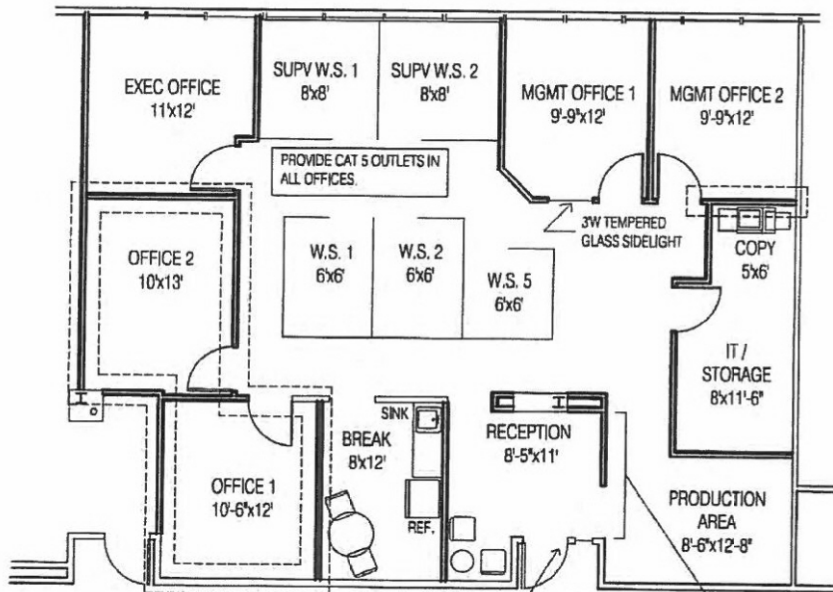


**TOTAL CONTIGUOUS
AVAILABLE
16,250 SF on 2nd Floor**

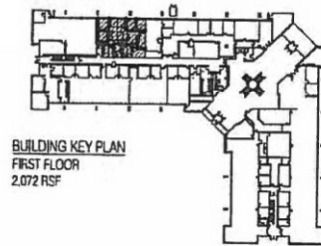
Jeff Rudicil (JR)
614.545.2157
jr@AlterraRE.com

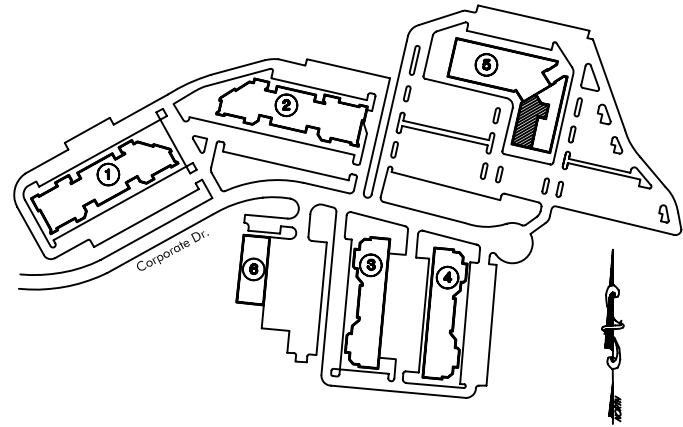
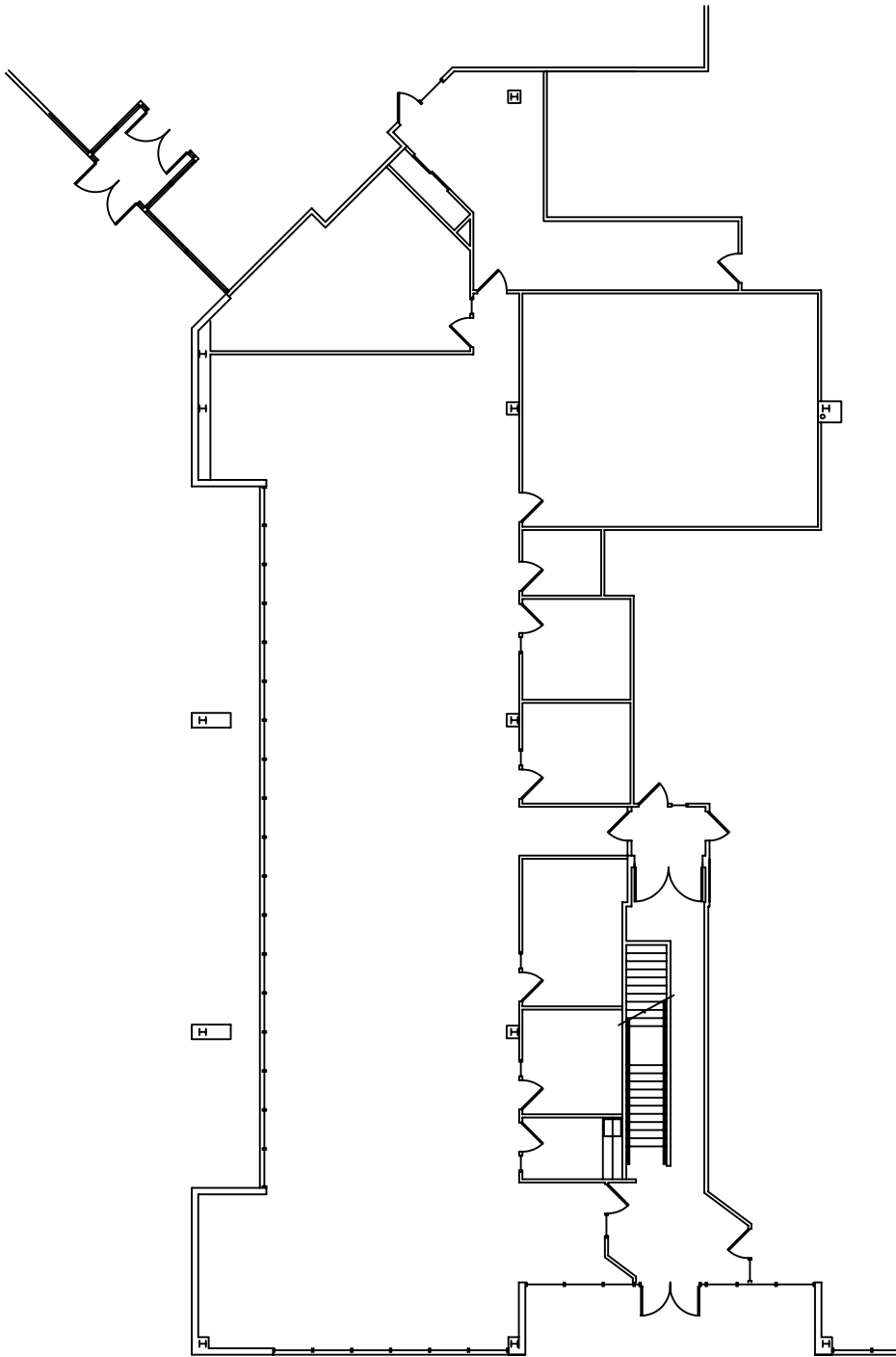
Bradford L. Kitchen, SIOR
614.545.2155
bkitchen@AlterraRE.com

Alterra Real Estate
614.365.9000
www.AltterraRE.com



Suite 145
2,072 SF





**North East Business Campus
3700 Corporate Drive - Suite 160**

Building 5
Columbus, Ohio 43231

6,302 Sq. Ft. Available



614 .365.9000
614 .280.0244 (fax)

www.AlterraRE.com